

testa ad angolo - angle head

TA07.P



caratteristiche/features



ø 7



M6



1-1



10000

peso/weight



5,5 kg



7,5 kg

rotazione/rotation

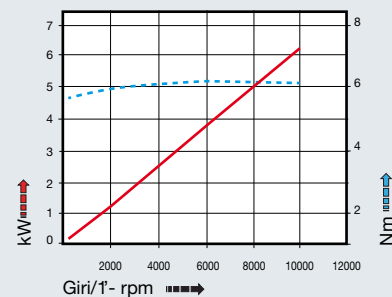


input



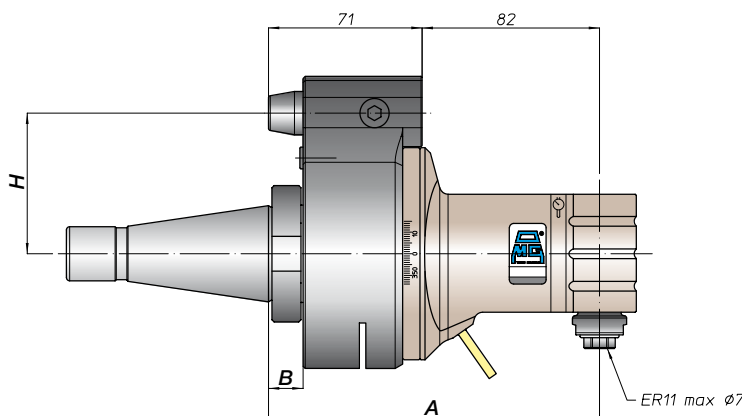
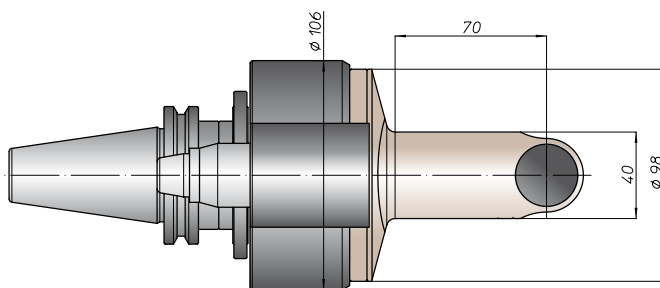
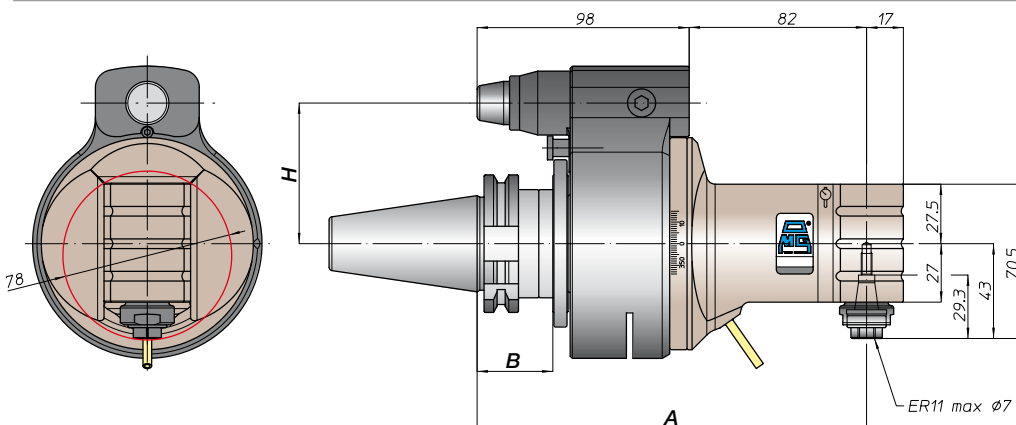
output

prestazioni/performance



tipi mandrino disponibili / available spindle types

3 Weldon Whistle-Notch
Ø8-Ø10



CONO SHANK	size	H			
		A	B	standard	optional
* DING9871	30	180	35	65	-
	40			80	110
	45			80	110
	50			80	110
* ANSIB5.50 CAT	40	180	35	65	-
	50			80	110
* BT	40	180	35	65	-
	50			80	110
HSK DING9893	63	189	46	44	65
	80			80	110
	100			80	110
CAPTO ISO28623	C5	184	39	65	-
	C6			80	110
	C8			80	110
KM	63	180	35	65	-
	80			80	110
	100			80	110
DIN2080	40	150	13	65	-
	50			80	110
ANSIB5.18 NMTB	40	150	13	65	-
	50			80	110

* Option: Dual Contact

BAH

TA-CP

TA

MO

HT

VH

TSI/TSX

T

MT-TC-TC3

Accessori
Accessories

Appendice tecnica
Technical supplement

