

TA10.PL



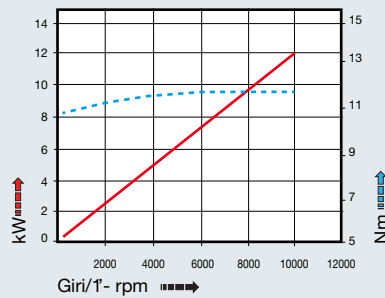
caratteristiche/features

peso/weight

prestazioni/performance

$\varnothing 10$
 M8
 1-1
 10000

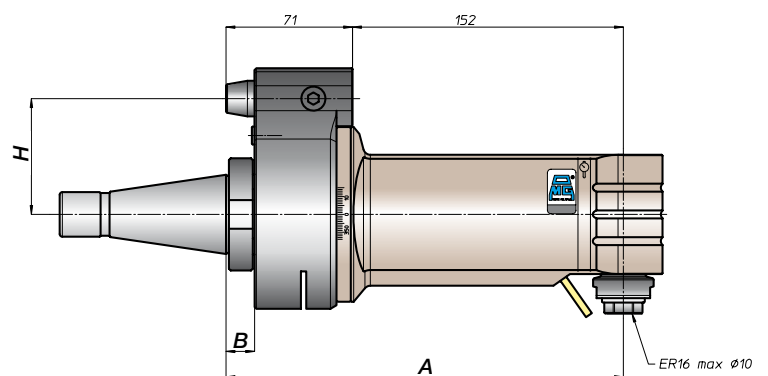
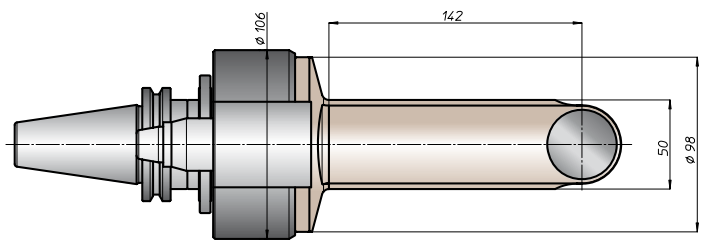
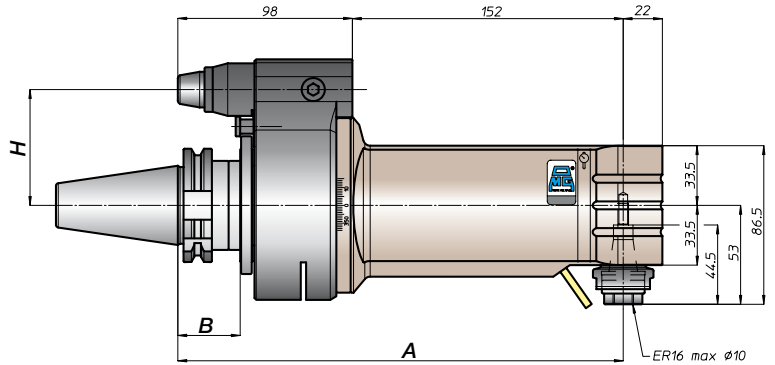
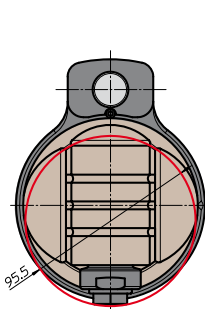
7,5 kg
 9,8 kg
 rotazione/rotation
 input
 output



| CONO SHANK | size | A | B | H | |
|-----------------|------|-----|----|----------|----------|
| | | | | standard | optional |
| * DING9871 | - | 250 | 35 | 65 | - |
| | 40 | | | 80 | 110 |
| | 45 | | | 80 | 110 |
| * ANSIB5.50 CAT | 40 | 250 | 35 | 65 | - |
| | 50 | | | 80 | 110 |
| * BT | 40 | 258 | 45 | 65 | - |
| | 50 | | | 80 | 110 |
| DING9893 HSK | 63 | 259 | 44 | 65 | - |
| | 80 | | | 80 | 110 |
| | 100 | | | 46 | 80 |
| ISO26623 CAPTO | C5 | 254 | 39 | 65 | - |
| | C6 | | | 80 | 110 |
| | C8 | | | 80 | 110 |
| KM | 63 | 250 | 35 | 65 | - |
| | 80 | | | 80 | 110 |
| | 100 | | | 80 | 110 |
| DIN2080 | - | 220 | 13 | 65 | - |
| | 40 | | | 80 | 110 |
| | 50 | | | 223 | 16 |
| ANSIB5.18 NMTB | 40 | 220 | 13 | 65 | - |
| | 50 | | | 223 | 16 |

tipi mandrino disponibili / available spindle types

- 1** DIN6388-ER **ER20**
- 2** Albero portafresa Milling shaft **Ø16**
- 3** Weldon Whistle-Notch **Ø10**



* Option: Dual Contact



BAH
 TA.CP
 TA
 MO
 HT
 VH
 TSI/TSX
 T
 MT-TC-TC3
 Accessori
 Accessories
 Appendice tecnica
 Technical supplement