

TA16.P



caratteristiche/features



ø 16



M12



1-1



5000

peso/weight



7,7 kg



11,7 kg

rotazione/rotation

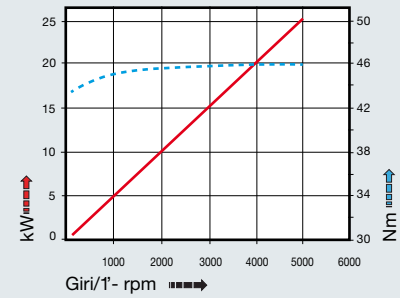


input



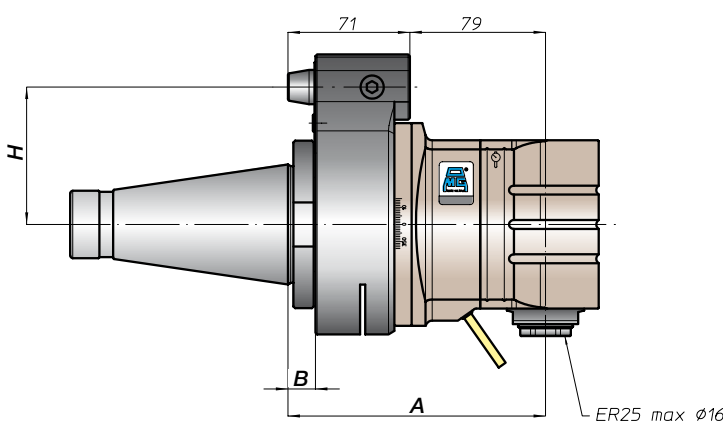
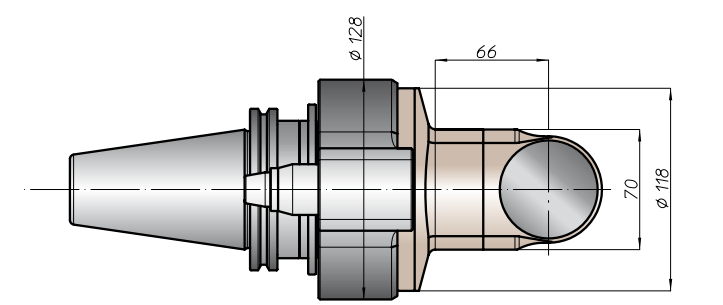
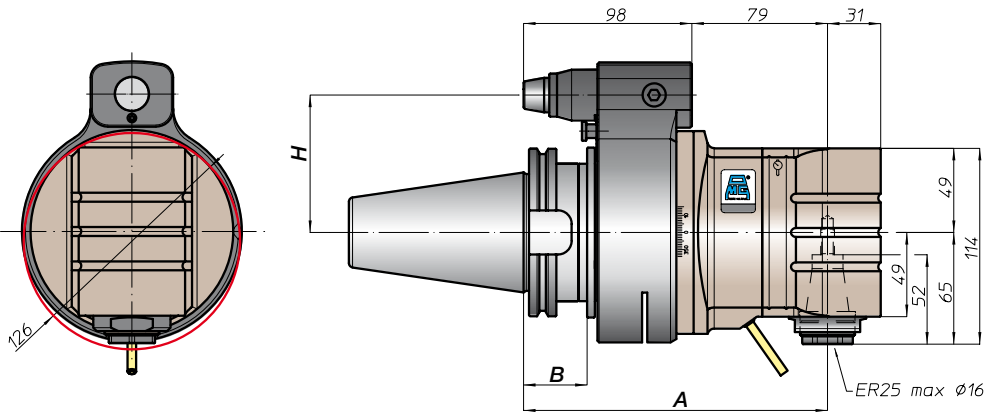
output

prestazioni/performance



tipi mandrino disponibili / available spindle types

- 1** DIN6388-ER
ER32
- 2** Albero portafresse
Milling shaft
Ø16-Ø22-Ø27-Ø32
- 3** Weldon
Whistle-Notch
Ø20
- 4** DIN69893-HSK
HSK32
- 5** COROMANT
CAPTO®
C3
- 6** ABS
Licenza KOMET®
ABS32



CONO SHANK	size	H			
		A	B	standard	optional
* DIN69871	-	172		65	-
	40				
	45			80	110
* ANSIB5.50	40	172	35	65	-
	50	177		80	110
* BT	40	172		65	
	50	185	45	80	110
* HSK	63	181	44	65	
	80				
	100	186	46	80	110
* CAPTO	C5	176		65	
	C6		39		
	C8	181		80	110
* KM	63	172		65	
	80				
	100	177		80	110
* DIN2080	-	147	13	65	-
	40				
	50	150	16	80	110
* ANSIB5.18	40	142	13	65	-
	50	150	16	80	110

* Option: Dual Contact

