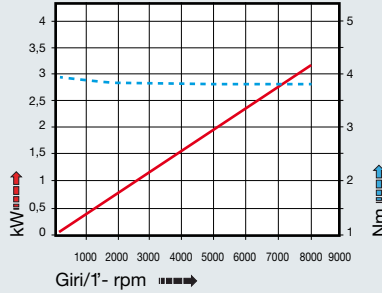
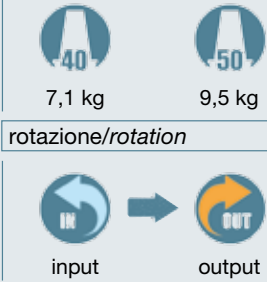


TAR04.PL

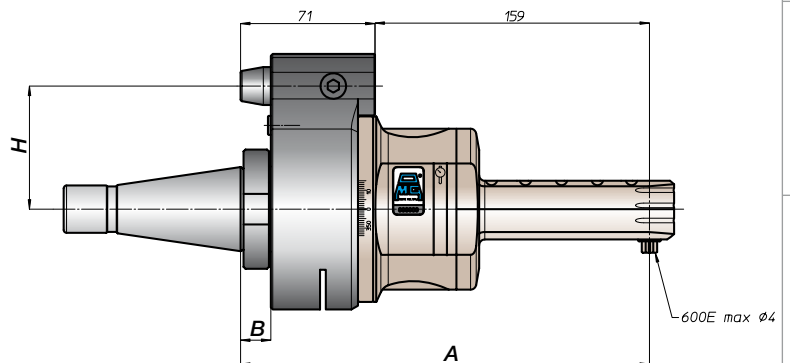
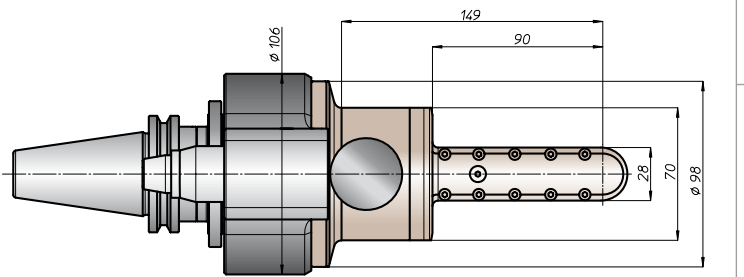
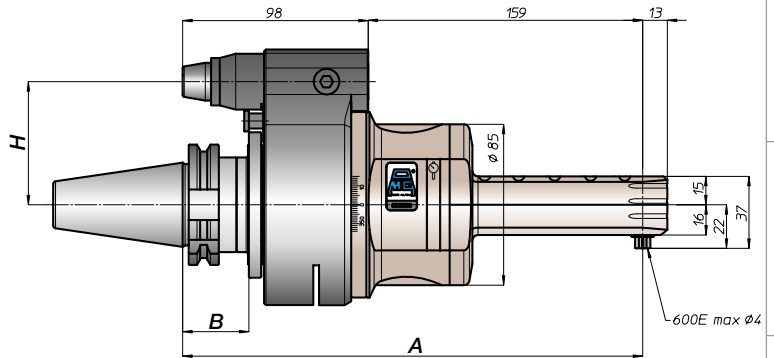
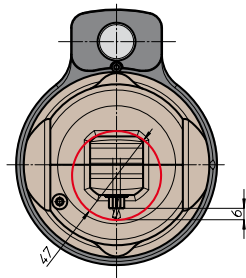
caratteristiche/features

peso/weight

prestazioni/performance



CONO SHANK	size	A	B	H	
				standard	optional
* DING9871	30	257	35	65	-
	40			80	110
	45			80	110
	50			80	110
* ANSIB5.50 CAT	40	257	35	65	-
	50			80	110
* BT	40	257	35	65	-
	50			80	110
DING9893 HSK	63	266	44	65	-
	80			80	110
	100			80	110
ISO26623 CAPTO	C5	261	39	65	-
	C6			80	110
	C8			80	110
KM	63	257	35	65	-
	80			80	110
	100			80	110
DIN2080	-	227	13	65	-
	40			80	110
	50			80	110
ANSIB5.18 NMTB	40	230	16	65	-
	50			80	110



* Option: Dual Contact