

testa ad angolo - angle head

# TA20.P



caratteristiche/features



ø 20



M14



1-1



3500

peso/weight



14,5 kg

rotazione/rotation

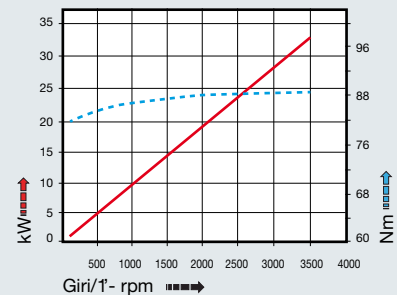


input



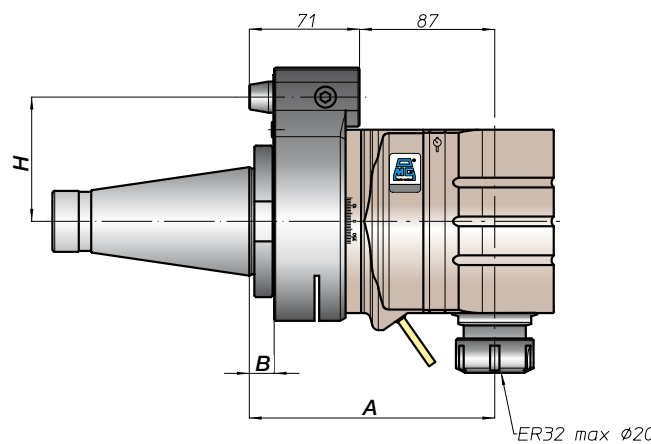
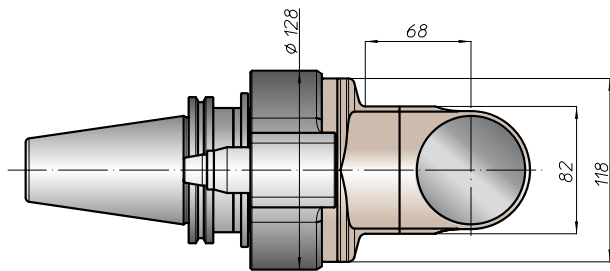
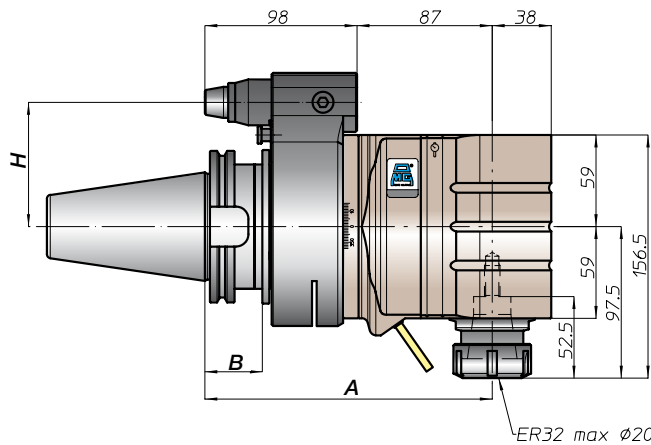
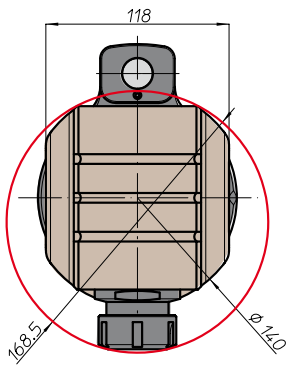
output

prestazioni/performance



tipi mandrino disponibili / available spindle types

- 1** DIN6388-ER  
**ER40**
- 2** Albero portafresse  
Milling shaft  
**Ø22-Ø27-Ø32**
- 3** Weldon  
Whistle-Notch  
**Ø20-Ø25-Ø32**
- 4** DIN69893-HSK  
**HSK40**
- 5** COROMANT  
CAPTO®  
**C4**
- 6** ABS  
Licenza KOMET®  
**ABS40**



| CONO SHANK  | size | H   |    |          |          |
|-------------|------|-----|----|----------|----------|
|             |      | A   | B  | standard | optional |
| DIN69871 *  | -    | -   | -  | -        | -        |
| DIN69871 *  | 45   | -   | -  | 80       | 110      |
| DIN69871 *  | 50   | 185 | 35 | 80       | 110      |
| ANSIB5.50 * | -    | -   | -  | -        | -        |
| ANSIB5.50 * | 50   | -   | -  | 80       | 110      |
| BT *        | -    | -   | -  | -        | -        |
| BT *        | 50   | 193 | 45 | 80       | 110      |
| HSK         | -    | -   | -  | -        | -        |
| DIN69893    | 80   | 194 | -  | 80       | 110      |
| DIN69893    | 100  | -   | 46 | 80       | 110      |
| CAPTO       | -    | -   | -  | -        | -        |
| ISO28623    | -    | 189 | -  | 80       | 110      |
| ISO28623    | C8   | -   | -  | 80       | 110      |
| KM          | -    | -   | -  | -        | -        |
| KM          | 80   | 185 | -  | 80       | 110      |
| KM          | 100  | -   | -  | 80       | 110      |
| DIN2080     | -    | -   | -  | -        | -        |
| DIN2080     | -    | 158 | 16 | 80       | 110      |
| DIN2080     | 50   | -   | -  | 80       | 110      |
| NMTB        | -    | -   | -  | -        | -        |
| ANSIB5.18   | 50   | 158 | 16 | 80       | 110      |

\* Option: Dual Contact

BAH

TA-CP

TA

MO

HT

VH

TSI/TSX

T

MT-TC-TC3

Accessori  
Accessories

Appendice tecnica  
Technical supplement

