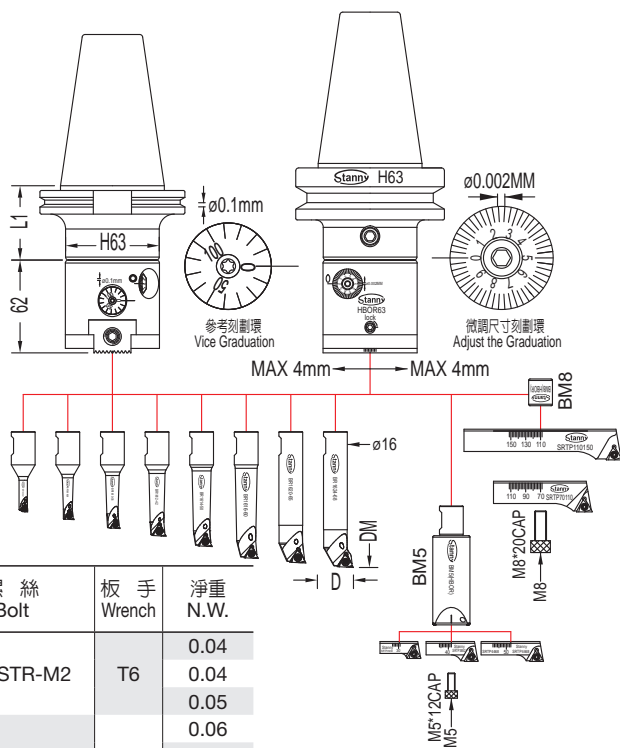


HBOR63

極細微調精搪孔系統

Micro-Finishing Cutter Fine Boring System

整組SET $\phi 6 \sim \phi 150$



訂貨編號 Order No.	規格 Model	範圍D Boring Range ϕ Min- ϕ Max	組合系統-主軸柄規格 Taper Shank	L1	淨重 N.W.
56900410	NT40-HBOR63	6-150	DIN2080 ISO40-H63-55	55	8.4
56900510	NT50-HBOR63	6-150	DIN2080 ISO50-H63-65	65	10.4
56901410	BT40-HBOR63	6-150	MAS403 BT40-H63-55	55	8.2
56901510	BT50-HBOR63	6-150	MAS403 BT50-H63-65	65	10.8
56901512	BT50-HBOR63	6-150	MAS403 BT50-H63-85	85	11.3
56902410	SK40-HBOR63	6-150	DIN69871A ISO40-H63-60	60	8.3
56902510	SK50-HBOR63	6-150	DIN69871A ISO50-H63-65	65	10.0
56904610	HSK63-HBOR63	6-150	DIN69893A HSK63-H63-67	67	8.2

訂貨編號 Order No.	規格 Model	範圍D Boring Range ϕ Min- ϕ Max	深度 DM	刀片 Insert	螺絲 Bolt	板手 Wrench	淨重 N.W.
50160621	BR1606-21	6-9	21	WBG0601..L			0.04
50160828	BR1608-28	8-11	28	TBGT0601..L	SB-1STR-M2	T6	0.04
50161035	BR1610-35	10-13	35				0.05
50161242	BR1612-42	12-15	42	TPGH0902..L	SB-2TR-M2.5	T8	0.06
50161450	BR1614-50	14-17	50				0.07
50161660	BR1616-60	16-20	60	TPGH1103..L	SB-3TR-M3	T8	0.09
50162065	BR1620-65	20-24	65				0.11
50162468	BR1624-68	24-28	68	60 + SRTP2938 or SRTP3652 or SRTP4468	M5x12	4	0.12
50162505	BM5						0.25
50252938	SRTP2938	29-38	+10	TPGH0902..L	SB-2TR-M2.5	T8	0.01
50323652	SRTP3652	36-52	+12				0.02
50404468	SRTP4468	44-68	+12				0.03
50501608	BM8			+SRTP70110 or SRTP110150	M8x20	6	0.03
50637011	SRTP70110	70-110	+20	TPGH1103..L	SB-3TR-M3	T8	0.10
50637115	SRTP110150	110-150	+20				0.21