

# TA07.2P



caratteristiche/features



ø 7



M6



1-1



10000

peso/weight



5 kg



7 kg

rotazione/rotation

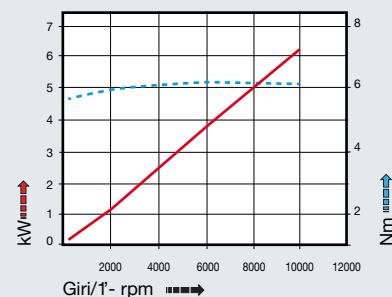


input



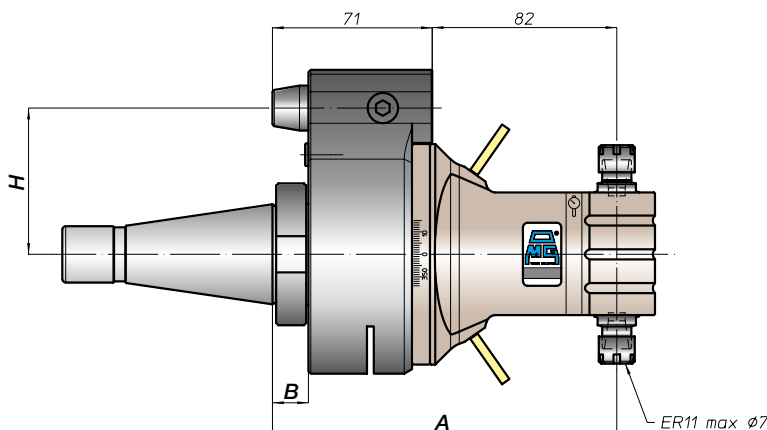
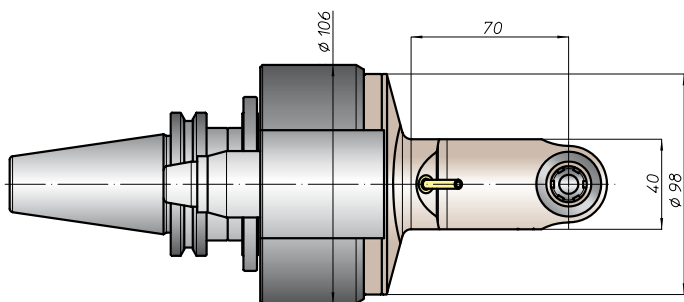
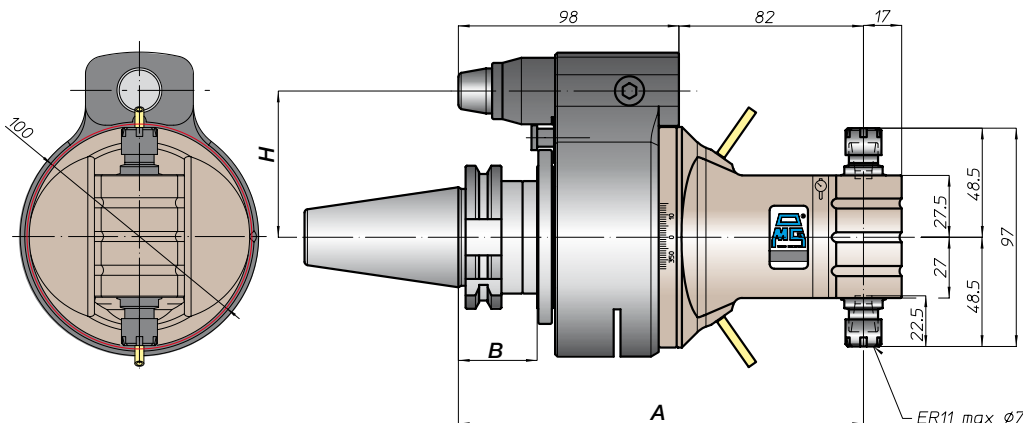
output

prestazioni/performance



tipi mandrino disponibili / available spindle types

**3** Weldon Whistle-Notch  
Ø10



CONO SHANK	size	H		
		A	B	standard / optional
* DING9871	30			65 -
	40			80 110
	45			80 110
	50	180	35	80 110
* ANSIB5.50 CAT	40			65 -
	50			80 110
* BT	40			65
	50	188	45	80 110
HSK DING9893	63		44	65
	80	189		80 110
	100		46	80 110
CAPTO ISO28623	C5			65
	C6	184	39	80 110
	C8			80 110
KM	63			65
	80	180		80 110
	100			80 110
DIN2080	-	150	13	65 -
	40			80 110
ANSIB5.18 NMTB	-	153	16	80 110
	50			80 110
ANSIB5.18 NMTB	40	150	13	65 -
	50	153	16	80 110

\* Option: Dual Contact

BAH  
TA-CP  
TA  
MO  
HT  
VH  
TSI/TSX  
T  
MT-TC-TC3  
Accessori  
Accessories  
Appendice tecnica  
Technical supplement

