

# TA07.PD



caratteristiche/features



ø 7 M6 1-1



10000 10 bar

peso/weight



40

5 kg



50

7 kg

rotazione/rotation

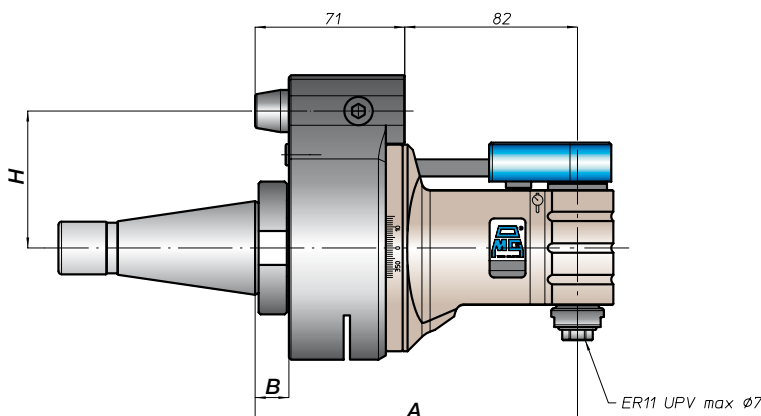
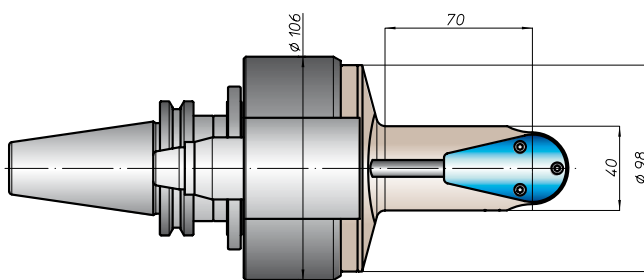
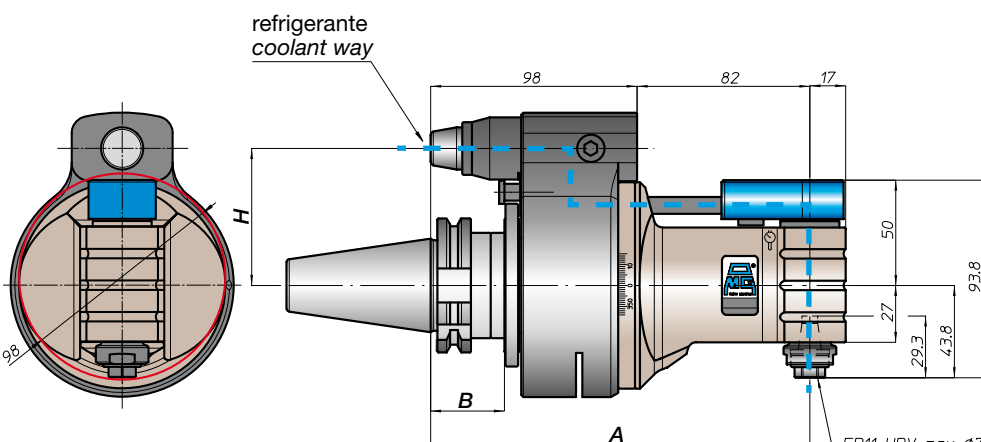
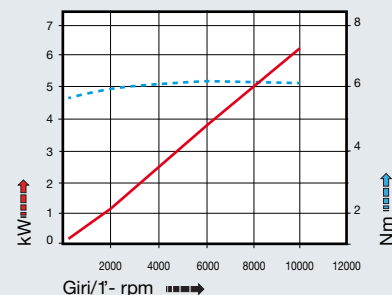


input



output

prestazioni/performance



CONO SHANK	size	H			
		A	B	standard	optional
DIN9871 *	30			65	-
	40			80	110
	45	150	35	80	110
ANSIB5.50 *	40			65	-
	50			80	110
* BT	40			65	
	50	158	45	80	110
HSK DIN9893	63		44	65	
	80	159		80	110
	100		46	80	110
CAPTO ISO28623	C5			65	
	C6	154	39		
	C8			80	110
KM	63			65	
	80	150		80	110
	100			80	110
DIN2080	40	120	13	65	-
	50	123	16	80	110
NMTB ANSIB5.18	40	120	13	65	-
	50	123	16	80	110

\* Option: Dual Contact

