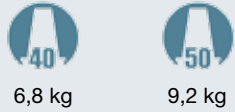


TAR03.PL

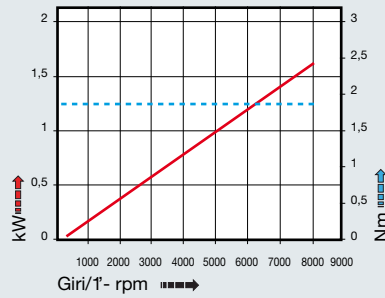
caratteristiche/features

peso/weight

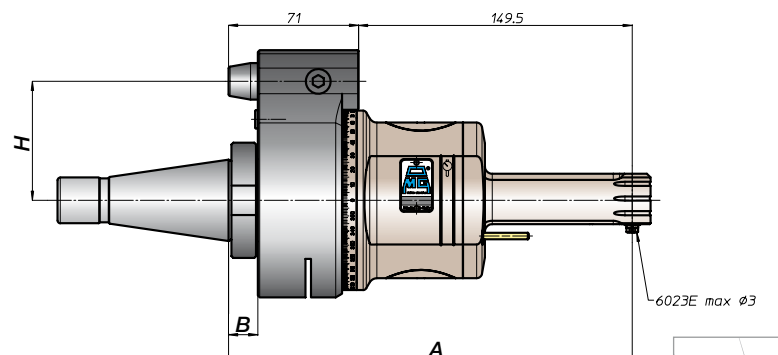
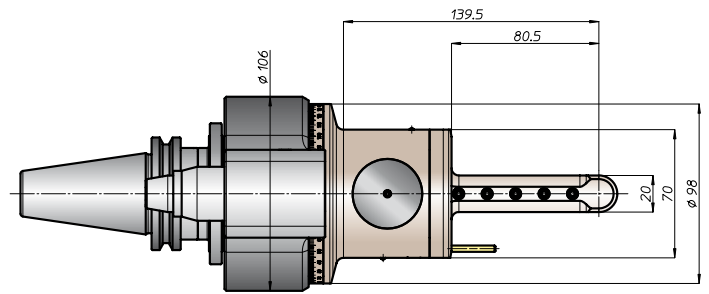
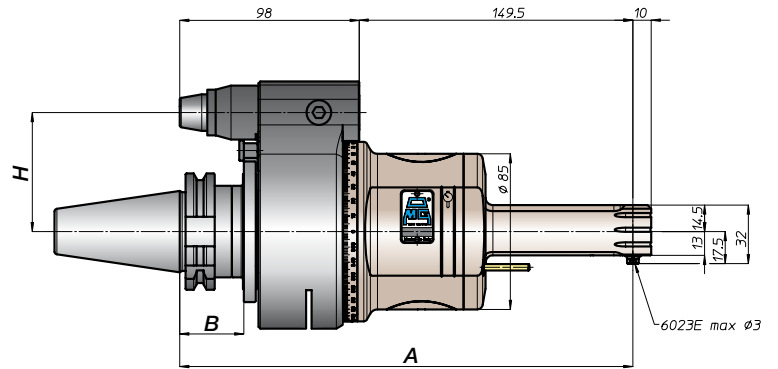
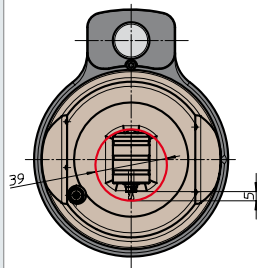
prestazioni/performance



rotazione/rotation



CONO SHANK	size	A	B	H	
				standard	optional
* DING69871 *	30	247,5	35	65	-
	40			-	
	45			80	110
	50			80	110
* ANSIB5.50 * CAT	40	255,5	45	65	-
	50			80	110
	50			80	110
* BT	40	255,5	45	65	-
	50			80	110
DING69893 HSK	63	256,5	44	65	-
	80			80	110
	100			80	110
ISO26623 CAPTO	C5	251,5	39	65	-
	C6			80	110
	C8			80	110
KM	63	247,5	39	65	-
	80			80	110
	100			80	110
DIN2080	-	217,5	13	65	-
	40			80	110
	50			80	110
ANSIB5.18 NMTB	40	220,5	16	65	-
	50			80	110



* Option: Dual Contact



BAH
TA.CP
TA
MO
HT
VH
TSI/TSX
T
MT-TC-TC3
Accessori
Accessories
Appendice tecnica
Technical supplement