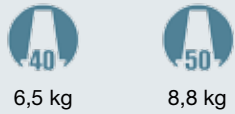


TA07.PL

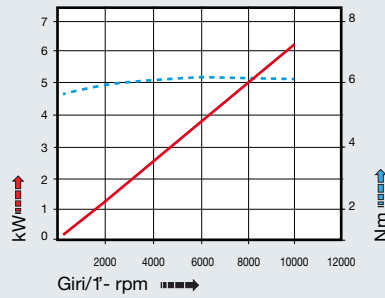
caratteristiche/features

peso/weight

prestazioni/performance



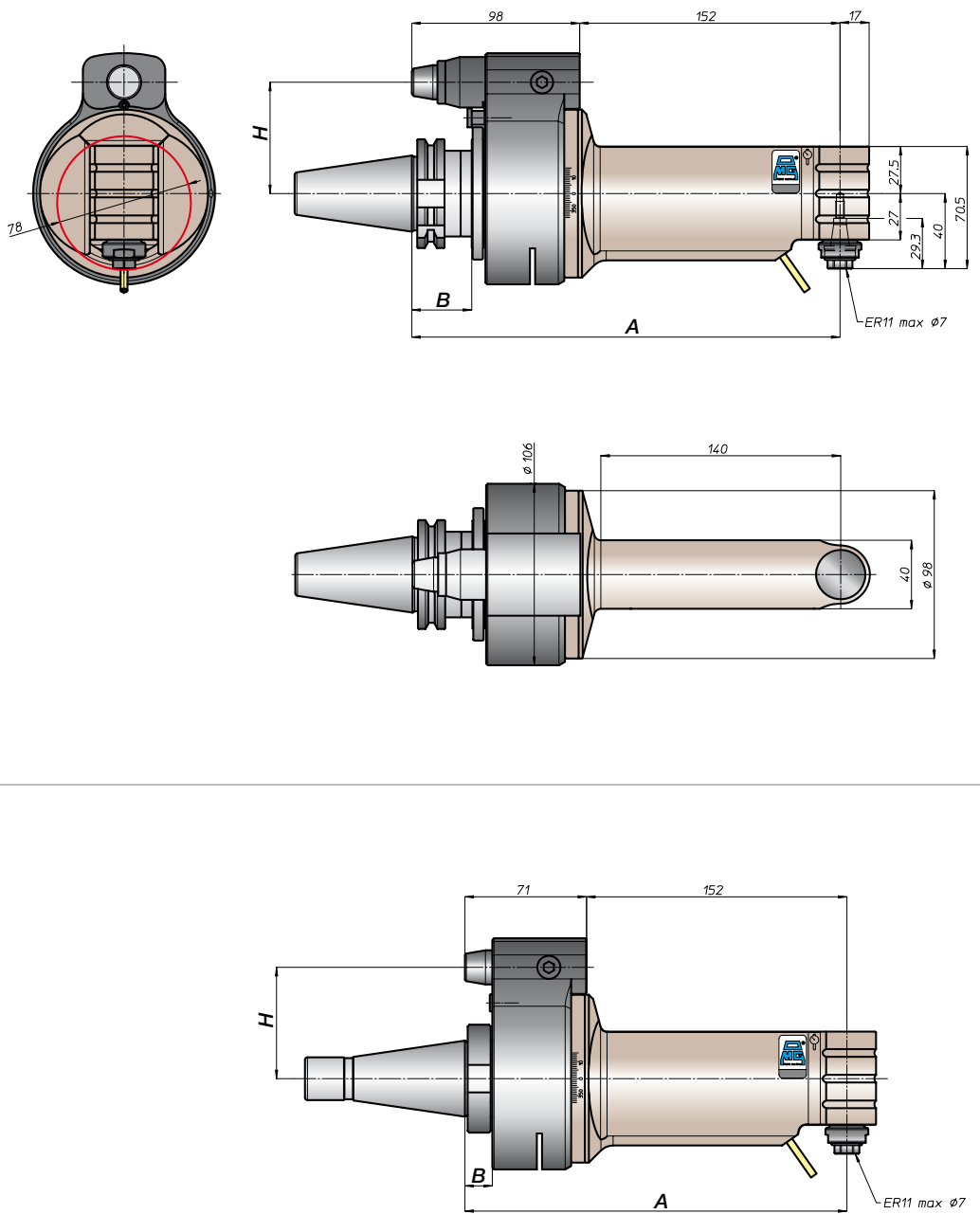
rotazione/rotation



CONO SHANK	size	A	B	H	
				standard	optional
DING9871 *	40	250	35	65	-
	45			80	110
	50			80	110
ANSIB5.50 *	40	258	45	65	-
	50			80	110
BT *	40	258	45	65	-
	50			80	110
HSK	63	259	44	65	-
	80		46	80	110
	100		46	80	110
CAPTO	C5	254	39	65	-
	C6			80	110
	C8			80	110
KM	63	250	13	65	-
	80			80	110
	100			80	110
DIN2080	40	223	16	65	-
	50			80	110
	50			80	110
ANSIB5.18	40	223	16	65	-
	50			80	110

tipi mandrino disponibili / available spindle types

3 Weldon Whistle-Notch
Ø8-Ø10



* Option: Dual Contact

BAH
TA.CP
TA
MO
HT
VH
TSI/TSX
T
MT-TC-TC3
Accessori
Accessories
Appendice tecnica
Technical supplement

