

testa ad angolo - angle head

TA13.P



caratteristiche/features



ø 13



M10



1-1



8000

peso/weight



6,5 kg



9 kg

rotazione/rotation

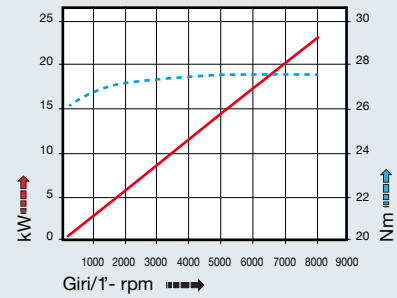


input



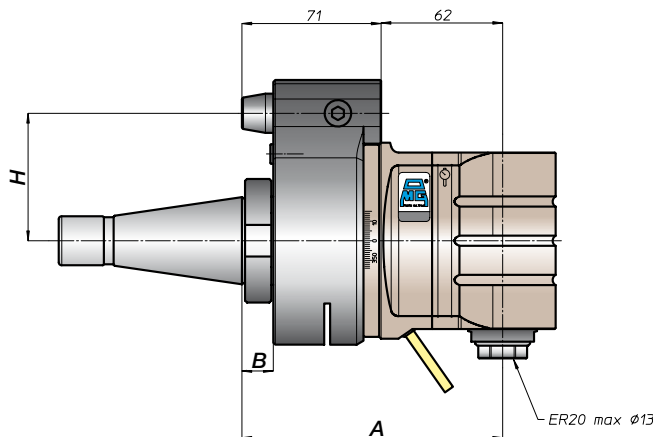
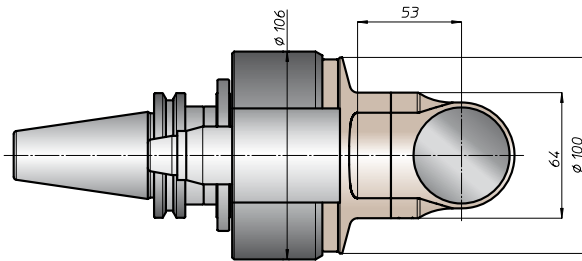
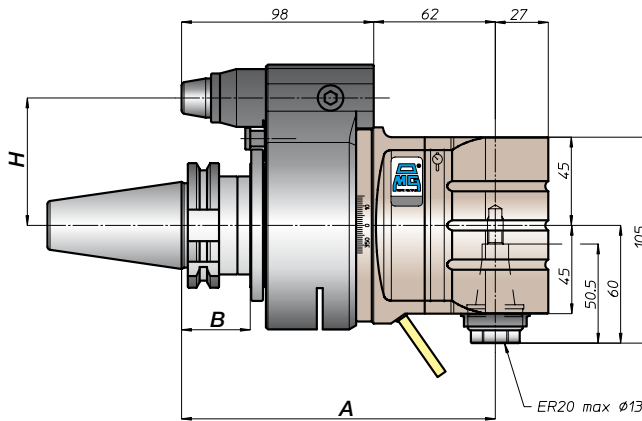
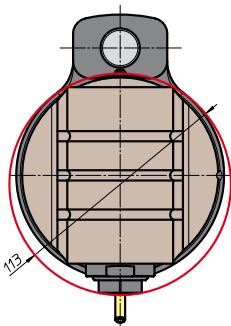
output

prestazioni/performance



tipi mandrino disponibili / available spindle types

- 1** DIN6388-ER
ER25
- 2** Albero portafresa
Milling shaft
Ø16-Ø22
- 3** Weldon
Whistle-Notch
Ø16



CONO SHANK	size	H			
		A	B	standard	optional
* DIN69871	-			65	-
	40	160	35	80	110
	45			80	110
50	80			110	
* CAT ANSIB5.50	40			65	-
	50			80	110
* BT	40			65	
	50	168	45	80	110
HSK DIN69893	63		44	65	
	80	169	46	80	110
	100			80	110
CAPTO ISO28623	C5			65	
	C6	164	39	80	110
	C8			80	110
KM	63			65	
	80	160		80	110
	100			80	110
DIN2080	-	130	13	65	-
	40	133	16	80	110
	50			80	110
ANSIB5.18 NMTB	40	130	13	65	-
	50	133	16	80	110

* Option: Dual Contact

BAH

TA-CP

TA

MO

HT

VH

TSI/TSX

T

MT-TC-TC3

Accessori
Accessories

Appendice tecnica
Technical supplement

