

MO13



caratteristiche/features



ER25



10 bar



1-6



15000

peso/weight



5 kg



7,5 kg

rotazione/rotation

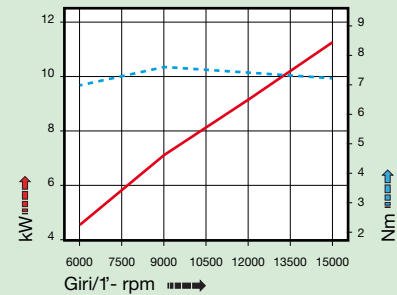


input

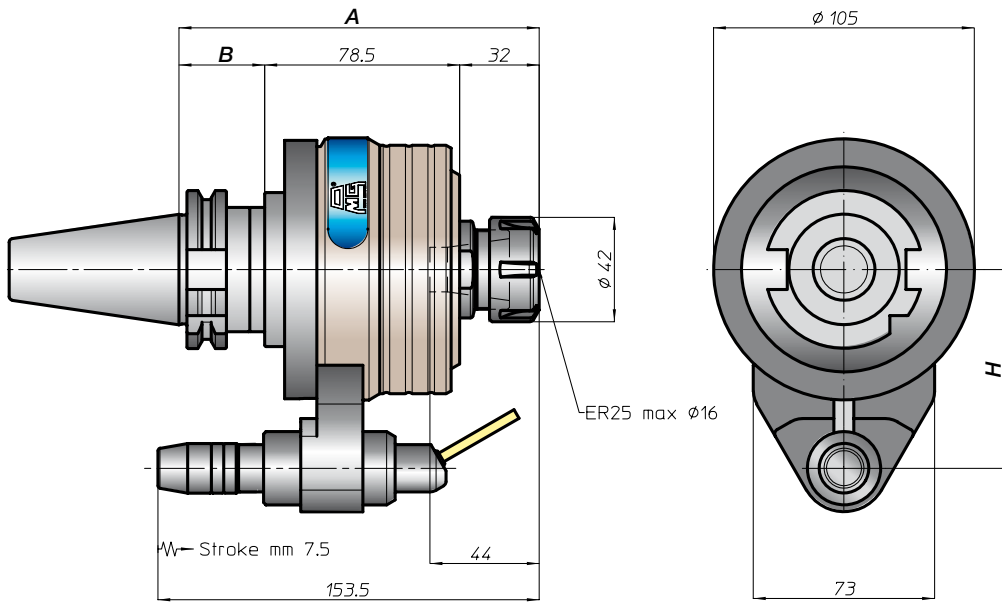


output

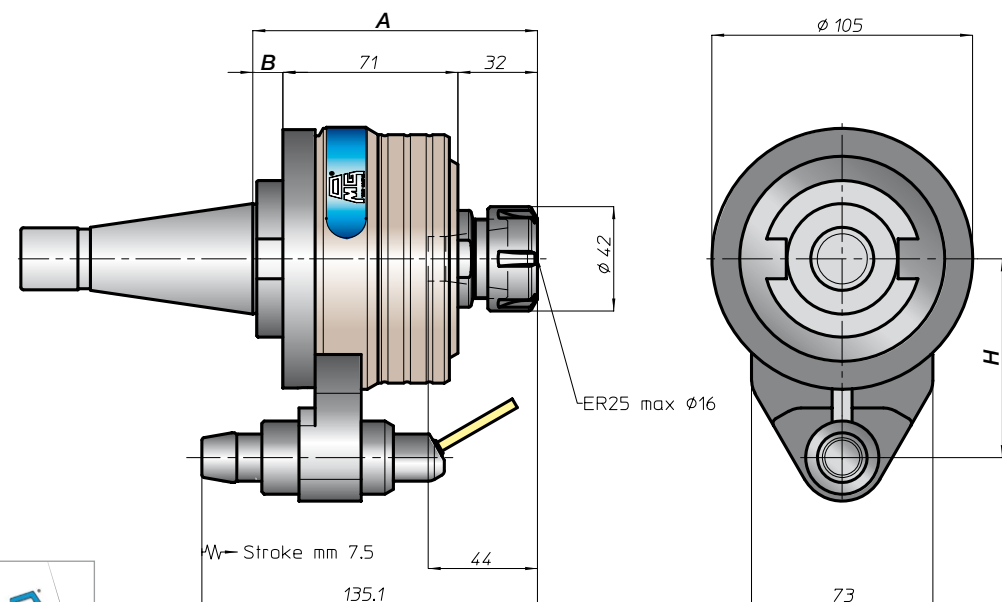
prestazioni/performance



MO



| CONO SHANK | size | H | | | |
|------------|------|-----|-------|----------|----------|
| | | A | B | standard | optional |
| DIN9871 | 40 | 143 | 35 | | |
| | 45 | | | 80 | - |
| | 50 | | 42 | | |
| ANSIB5.50 | 40 | 143 | 35 | | - |
| | 50 | | 42 | | - |
| BT | 40 | 143 | 35 | | - |
| | 50 | | 151 | 50 | |
| HSK | 63 | 156 | 152 | | 42 |
| | 80 | | | 80 | - |
| | 100 | | | 52 | |
| CAPTO | C5 | 151 | | | |
| | C6 | | | 80 | - |
| | C8 | | | | |
| KM | 63 | 147 | | | |
| | 80 | | | 80 | - |
| | 100 | | | | |
| DIN2080 | 40 | 116 | 112,5 | 11,5 | |
| | 50 | | | 80 | - |
| ANSIB5.18 | 40 | 116 | 112,5 | 11,5 | |
| | 50 | | | 80 | - |



Accessori
Accessories

Appendice tecnica
Technical supplement

4-4

