

TAF10.P



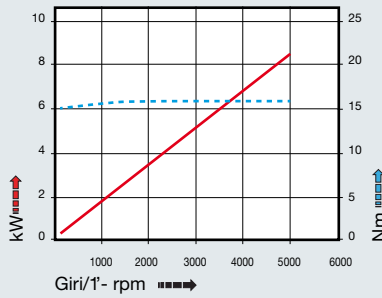
caratteristiche/features

peso/weight

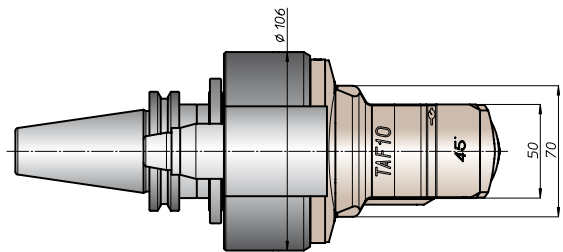
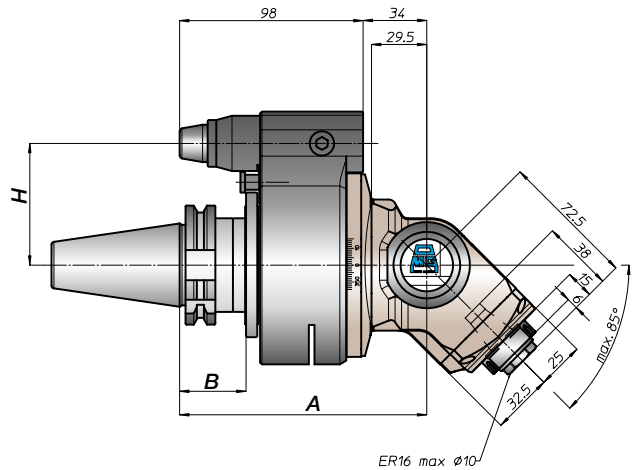
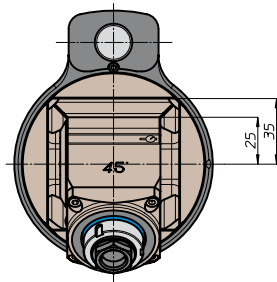
prestazioni/performance



rotazione/rotation



CONO SHANK	size	A	B	H	
				standard	optional
* DING9871	30	132	35	65	-
	40			80	110
	45			80	110
	50			80	110
* ANSIB5.50 CAT	40	132	35	65	-
	50			80	110
* BT	40	140	45	65	-
	50			80	110
HSK DING9893	63	141	42	65	-
	80			80	110
	100			80	110
CAPTO ISO26623	C5	136	39	65	-
	C6			80	110
	C8			80	110
KM	63	132	35	65	-
	80			80	110
	100			80	110
DIN2080	-	132	35	-	-
	-			-	-
	-			-	-
ANSIB5.18 NMTB	-	132	35	-	-
	-			-	-



* Option: Dual Contact



BAH
TA.CP
TA
MO
HT
VH
TSI/TSX
T
MT-TC-TC3
Accessori
Accessories
Appendice tecnica
Technical supplement