

testa ad angolo - angle head

TA10.PD



caratteristiche/features



ø 10 M8 1-1



10000 10 bar

peso/weight



5,8 kg



8 kg

rotazione/rotation

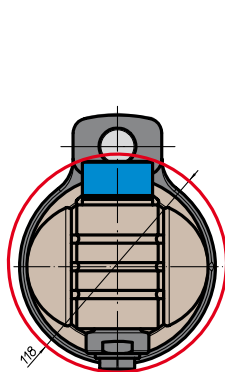
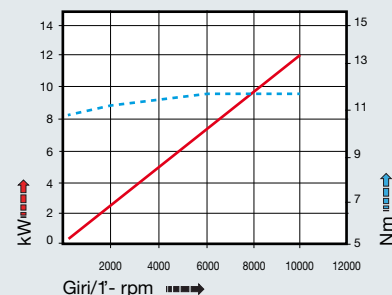


input

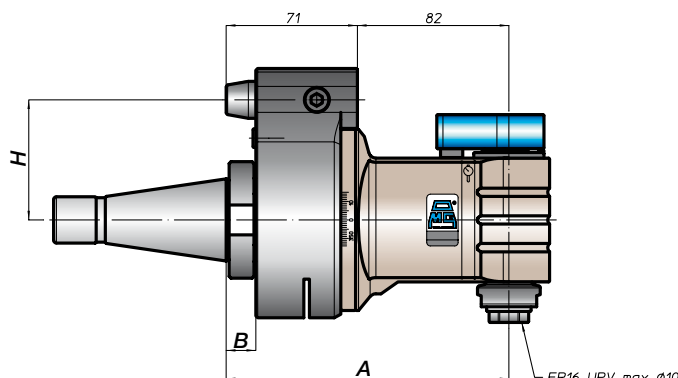
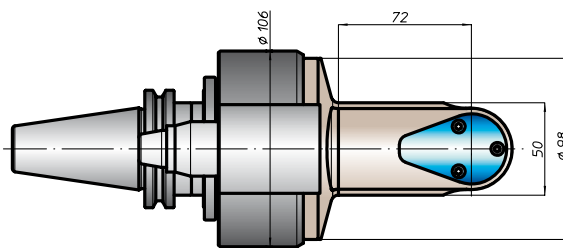
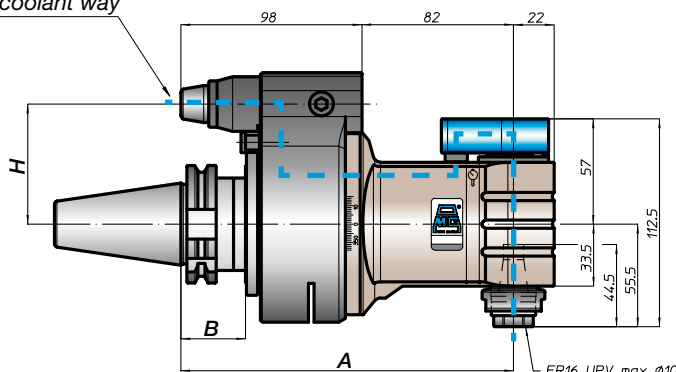


output

prestazioni/performance



refrigerante coolant way



CONO SHANK	size	H			
		A	B	standard	optional
* DING9871	30	180	35	65	-
	40			80	110
	45			80	110
	50			80	110
* ANSIB5.50 CAT	40	180	35	65	-
	50			80	110
* BT	40	188	45	65	-
	50			80	110
DING9893 HSK	63	189	46	44	65
	80			80	110
	100			80	110
ISO28623 CAPTO	C5	184	39	65	-
	C6			80	110
	C8			80	110
KM	63	180	35	65	-
	80			80	110
	100			80	110
DIN2080	40	150	13	65	-
	50	153	16	80	110
ANSIB5.18 NMTB	40	150	13	65	-
	50	153	16	80	110

* Option: Dual Contact

BAH

TA-CP

TA

MO

HT

VH

TSI/TSX

T

MT-TC-TC3

Accessori
Accessories

Appendice tecnica
Technical supplement

