

TA07.PDL



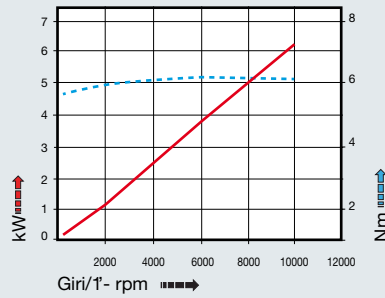
caratteristiche/features

peso/weight

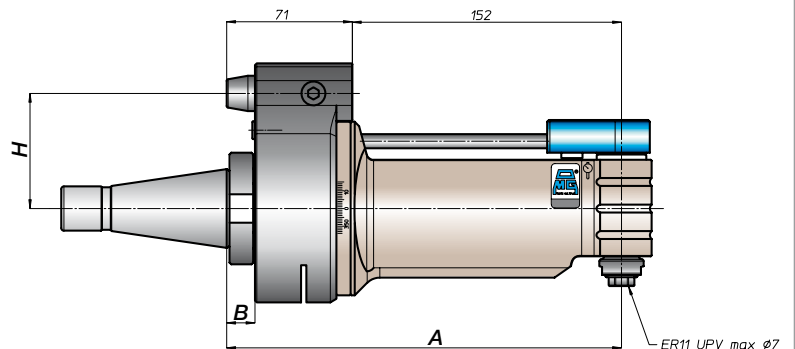
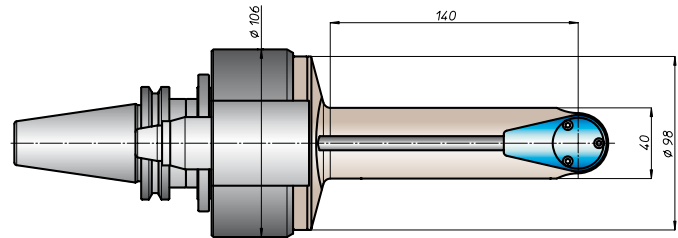
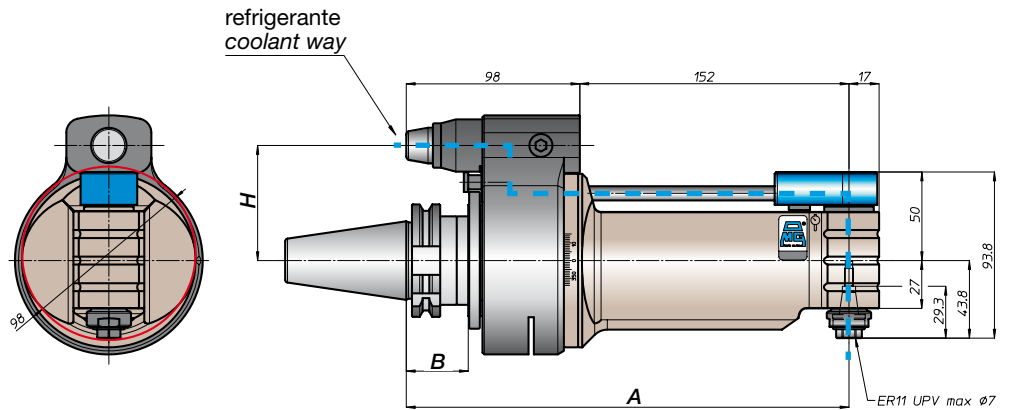
prestazioni/performance



rotazione/rotation



CONO SHANK	size	A	B	H	
				standard	optional
DING9871 *	40	250	35	65	-
	45			80	110
	50			80	110
ANSIB5.50 *	40	254	39	65	-
	50			80	110
* BT	40	258	45	65	-
	50			80	110
HSK DING9893	63	259	44	65	-
	80			80	110
	100			80	110
CAPTO ISO26623	C5	254	39	65	-
	C6			80	110
	C8			80	110
KM	63	250	13	65	-
	80			80	110
	100			80	110
DIN2080	40	223	16	65	-
	50			80	110
	50			80	110
ANSIB5.18 NMTB	40	220	13	65	-
	50			80	110



* Option: Dual Contact

