

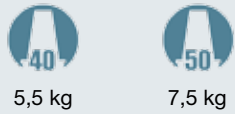
# TA10.2P



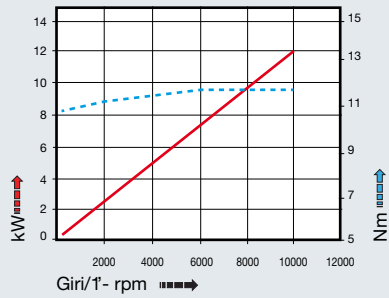
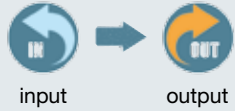
caratteristiche/features

peso/weight

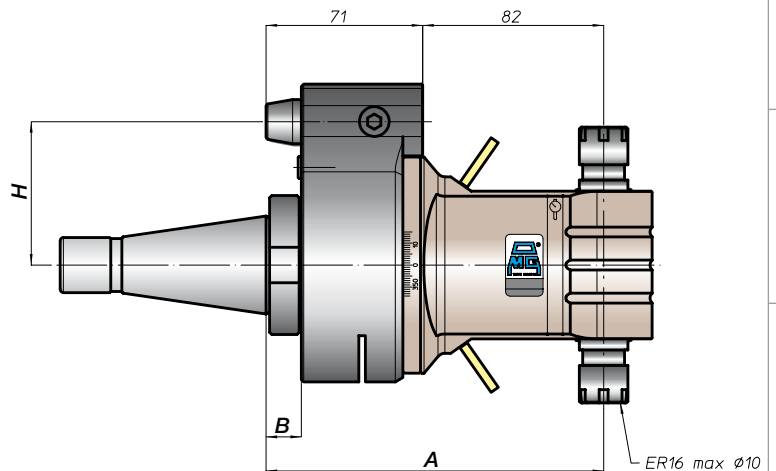
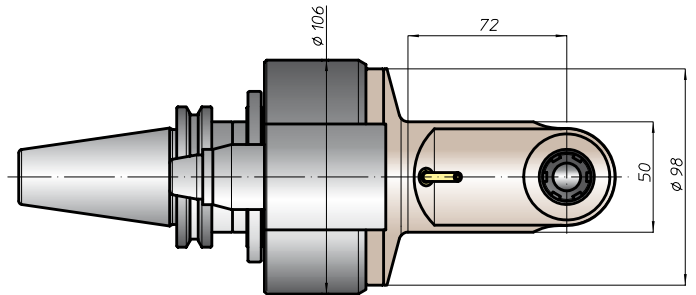
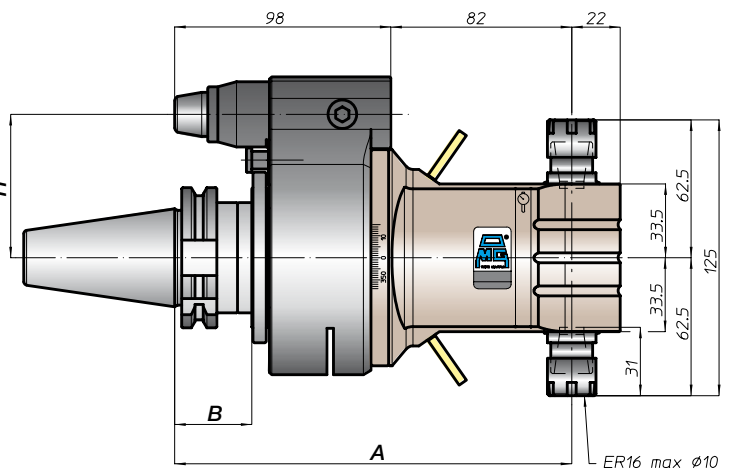
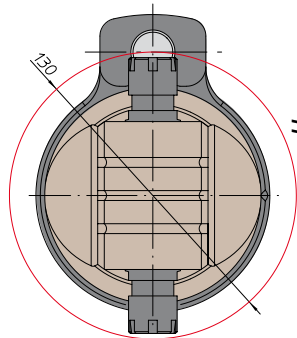
prestazioni/performance



rotazione/rotation



CONO SHANK	size	A	B	H	
				standard	optional
DING9871 *	30	180	35	65	-
	40			80	110
	45			80	110
	50			80	110
ANSIB5.50 *	CAT			65	-
				80	110
* BT	40			65	
	50	188	45	80	110
HSK	63	189	44	65	
	80		46	80	110
	100				
CAPTO	C5	184	39	65	
	C6			80	110
	C8				
KM	63	180		65	
	80		80	110	
	100				
DIN2080	-	150	13	65	-
	40	153	16	80	110
	50				
ANSIB5.18 NMTB	40	150	13	65	-
	50	153	16	80	110



\* Option: Dual Contact

