

testa ad angolo - angle head

TA13.PD



caratteristiche/features



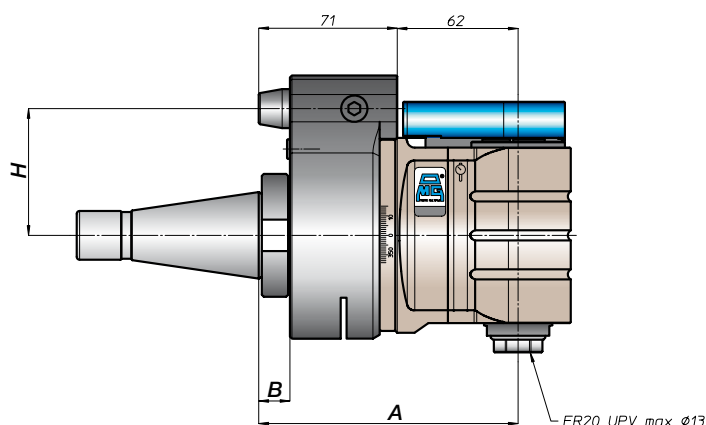
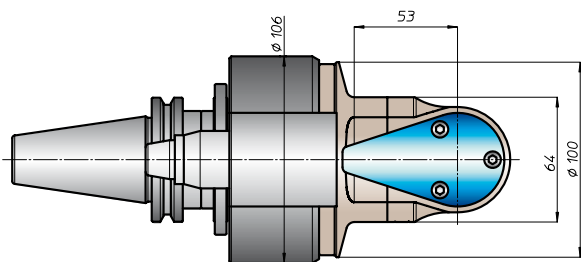
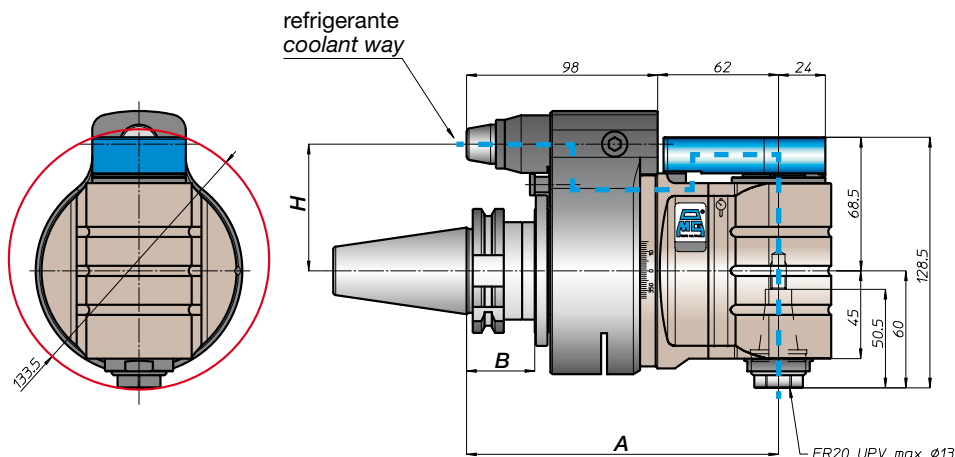
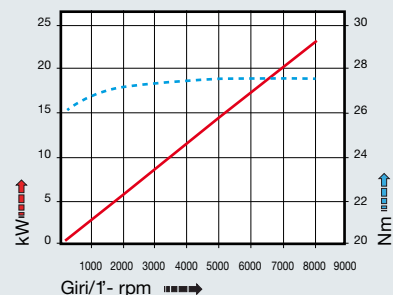
peso/weight



rotazione/rotation



prestazioni/performance



CONO SHANK	size	H			
		A	B	standard	optional
DIN9871 *	-			65	-
	40	160	35	80	110
	45			80	110
50	80			110	
ANSI B5.50 *	CAT			65	-
	50			80	110
* BT	40			65	
	50	168	45	80	110
HSK	63		44	65	
	80	169		80	110
	100		46	80	110
ISO 28623	C5			65	
	C6	164	39		
	C8			80	110
KM	63			65	
	80	160		80	110
	100			80	110
DIN2080	-	130	13	65	-
	40			80	110
	50	133	16	80	110
ANSI B5.18	NMTB			65	-
	50	133	16	80	110

* Option: Dual Contact

BAH

TA-CP

TA

MO

HT

VH

TSI/TSX

T

MT-TC-TC3

Accessori
Accessories

Appendice tecnica
Technical supplement

