

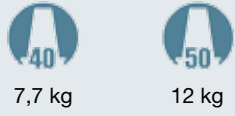
# TA16.PD



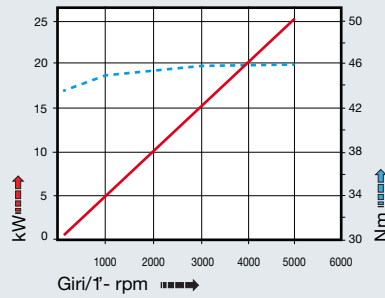
caratteristiche/features

peso/weight

prestazioni/performance



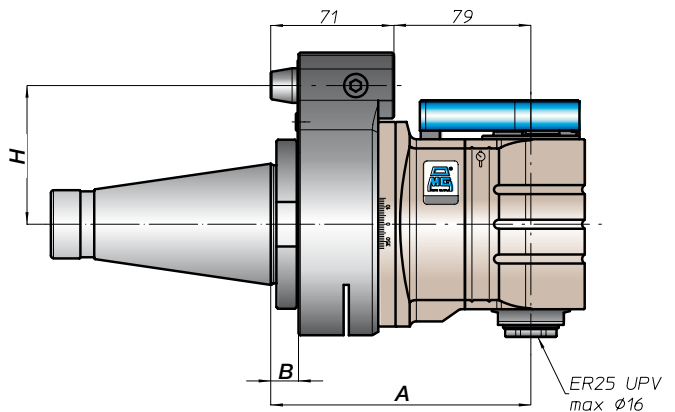
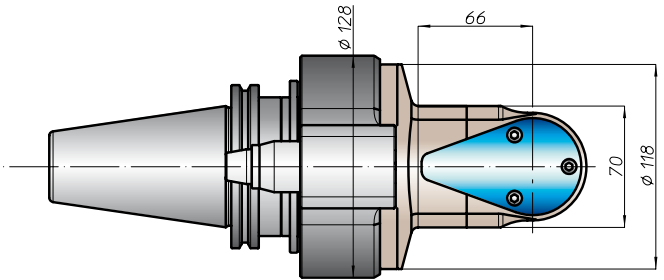
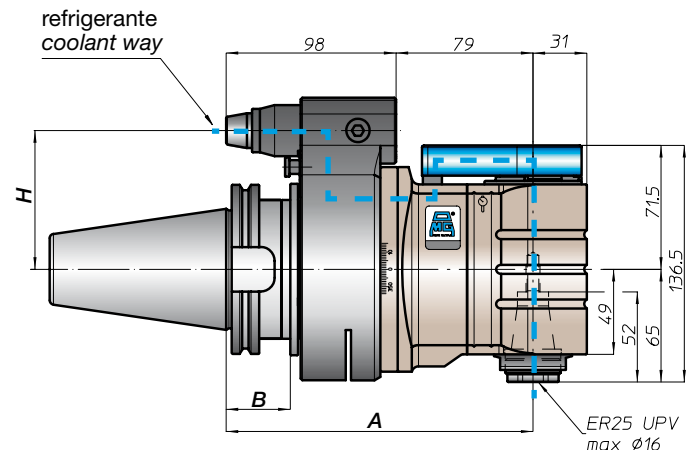
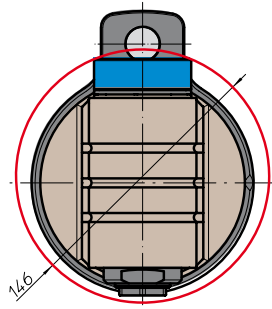
rotazione/rotation



CONO SHANK	size	A	B	H	
				standard	optional
* DING9871	-	172	35	65	-
	40	172		65	-
	45	177		80	110
* ANSIB5.50 CAT	40	172	65	-	
	50	177	80	110	
* BT	40	172	65	-	
	50	185	45	80	110
HSK	63	181	44	65	-
	80	186	46	80	110
	100	181	39	80	110
CAPTO	C5	176	65	-	
	C6	181	80	110	
	C8	181	80	110	
KM	63	172	65	-	
	80	177	80	110	
	100	177	80	110	
DIN2080	-	147	13	65	-
	40	150	16	80	110
	50	150	16	80	110
ANSIB5.18 NMTB	40	142	13	65	-
	50	150	16	80	110

tipi mandrino disponibili / available spindle types

1 DIN6388-ER  
ER32



\* Option: Dual Contact

