

# TA13.PL

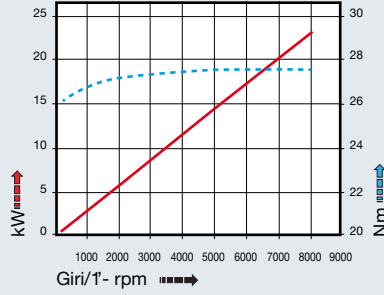
caratteristiche/features

peso/weight

prestazioni/performances



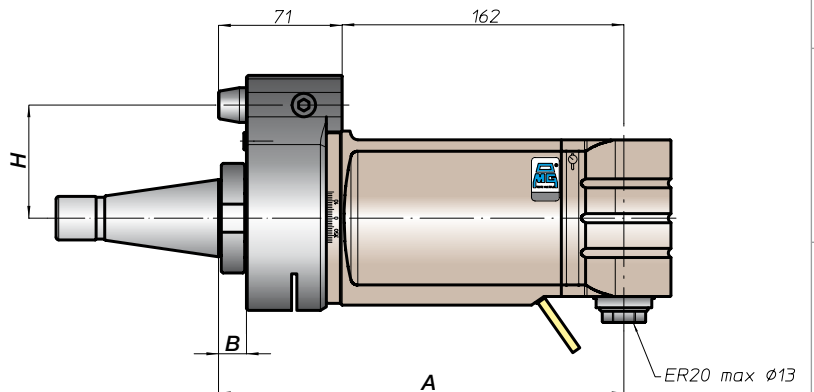
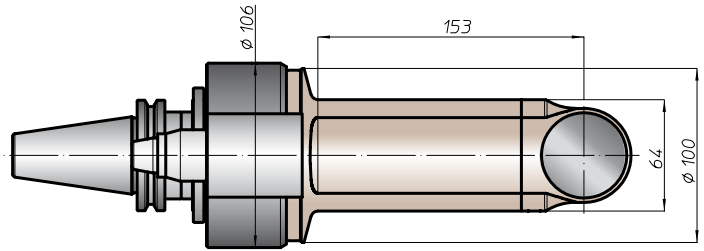
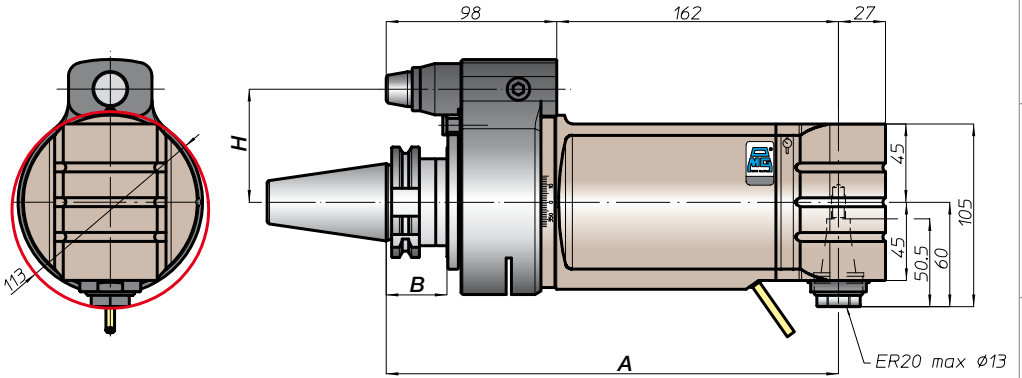
rotazione/rotation



CONO SHANK	size	A	B	H	
				standard	optional
DING9871 *	-	260	35	65	-
	40			80	110
	45			80	110
ANSIB5.50 *	CAT	268	45	65	-
	BT			80	110
DING9893	HSK	269	46	65	-
	ISO26623			80	110
	80			80	110
CAPTO	C5	264	39	65	-
	C6			80	110
	C8			80	110
KM	63	260	13	65	-
	80			80	110
	100			80	110
DIN2080	-	230	16	65	-
	40			80	110
	50			80	110
ANSIB5.18 NMTB	40	233	16	65	-
	50			80	110

tipi mandrino disponibili / available spindle types

- 1** DIN6388-ER ER25
- 2** Albero portafresa Milling shaft Ø16-Ø22
- 3** Weldon Whistle-Notch Ø16



\* Option: Dual Contact



BAH  
TA.CP  
TA  
MO  
HT  
VH  
TSI/TSX  
T  
MT-TC-TC3  
Accessori  
Accessories  
Appendice tecnica  
Technical supplement