

TA16.PL



caratteristiche/features

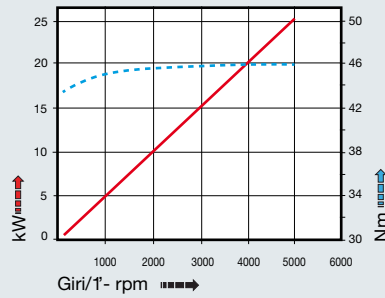
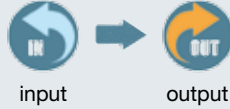
peso/weight

prestazioni/performance



15,5 kg

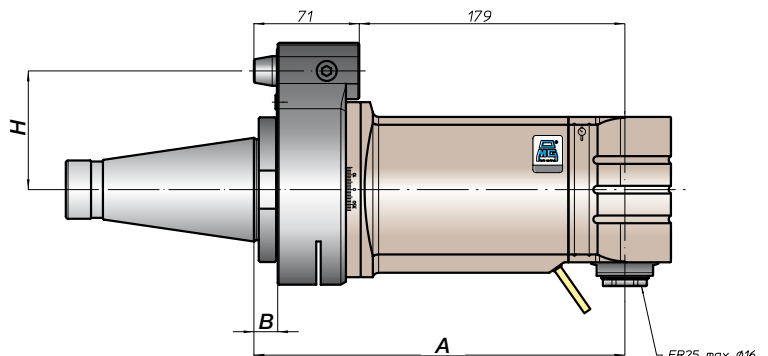
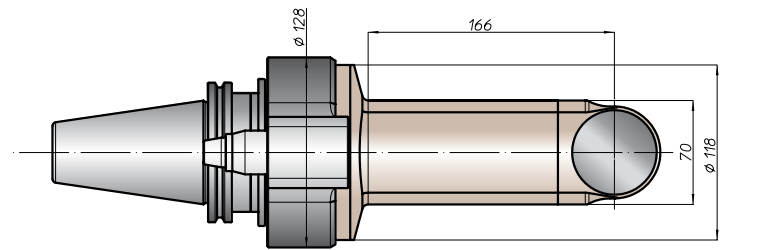
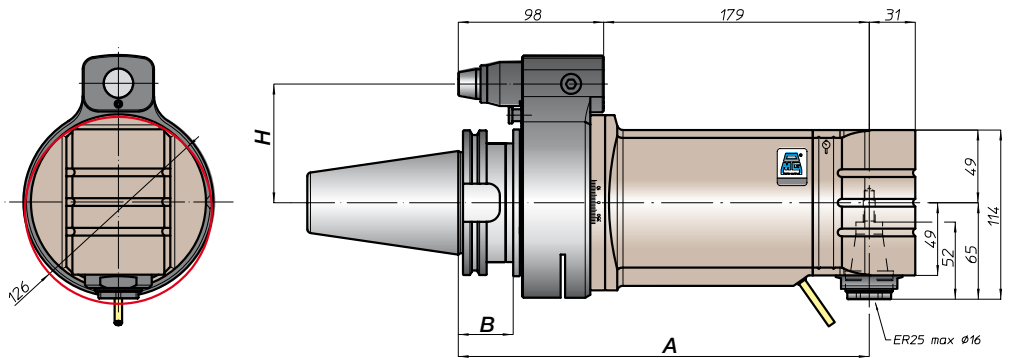
rotazione/rotation



CONO SHANK	size	A	B	H	
				standard	optional
* DING9871	-	-	-	-	-
	45	277	35	80	110
	50	277	35	80	110
* ANSIB5.50 CAT	-	-	-	-	-
	50	277	-	80	110
* BT	-	-	-	-	-
	50	285	45	80	110
HSK DING9893	-	-	-	-	-
	80	286	46	80	110
	100	286	46	80	110
CAPTO ISO26623	-	-	-	-	-
	C6	281	39	80	110
	C8	281	39	80	110
KM	-	-	-	-	-
	80	277	-	80	110
	100	277	-	80	110
DIN2080	-	-	-	-	-
	50	250	16	80	110
ANSIB5.18 NMTB	-	-	-	-	-
	50	250	16	80	110

tipi mandrino disponibili / available spindle types

- 1 DIN6388-ER
ER32
- 2 Albero portafresa
Milling shaft
Ø16-Ø22-Ø27-Ø32
- 3 Weldon
Whistle-Notch
Ø20
- 4 DIN69893-HSK
HSK32
- 5 COROMANT
CAPTO®
C3
- 6 ABS
Licenza KOMET®
ABS32



* Option: Dual Contact



BAH
 TA.CP
 TA
 MO
 HT
 VH
 TSI/TSX
 T
 MT-TC-TC3
 Accessori
 Accessories
 Appendice tecnica
 Technical supplement