

TA13.2P



caratteristiche/features



ø 13



M10



1-1



8000

peso/weight



6,5 kg



9 kg

rotazione/rotation

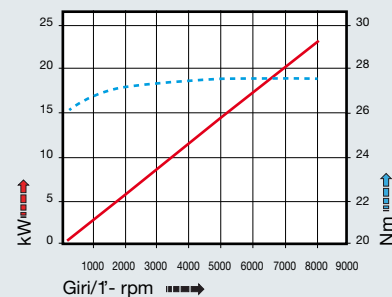


input



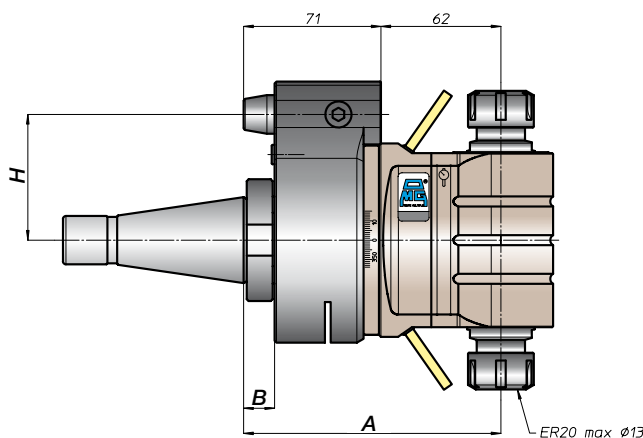
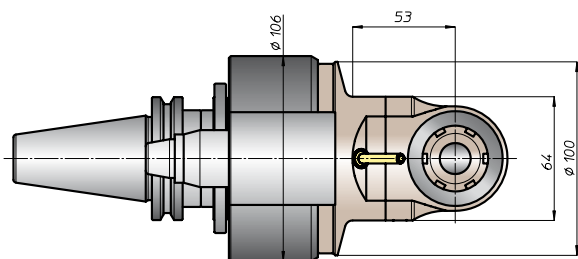
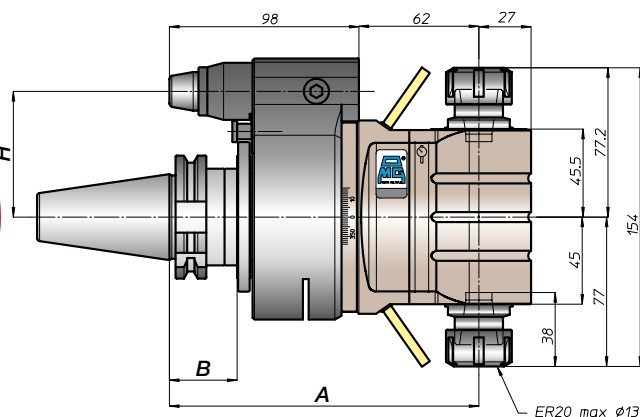
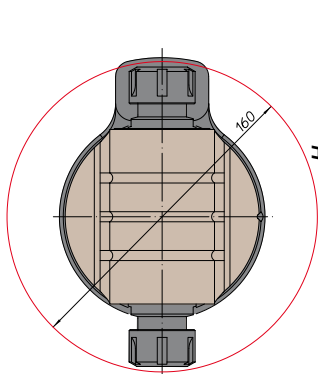
output

prestazioni/performance



tipi mandrino disponibili / available spindle types

1 DIN6388-ER
ER25



CONO SHANK	size	H			
		A	B	standard	optional
DIN69871 *	-			65	-
	40	160	35	80	110
	45			80	110
50	80			110	
ANSI B5.50 *	CAT			65	-
	50			80	110
* BT	40			65	
	50	168	45	80	110
HSK	63		44	65	
	80	169	46	80	110
	100			80	110
DIN69893	C5			65	
	C6	164	39	80	110
	C8			80	110
CAPTO	63			65	
	80	160		80	110
	100			80	110
ISO28623	-	130	13	65	-
	40	133	16	80	110
	-			80	110
DIN2080	50			80	110
	-			80	110
NMTB	40	130	13	65	-
	50	133	16	80	110
ANSI B5.18	40	130	13	65	-
	50	133	16	80	110

* Option: Dual Contact

