

# TA20.PL



caratteristiche/features

peso/weight

prestazioni/performance



19 kg

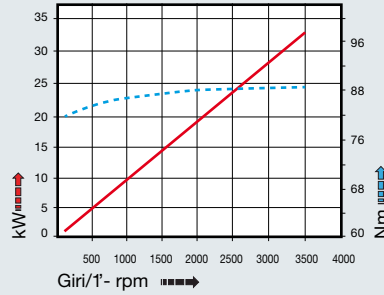
rotazione/rotation



input



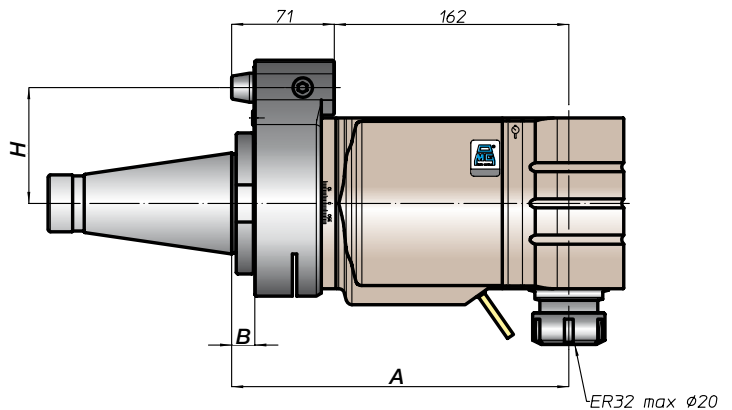
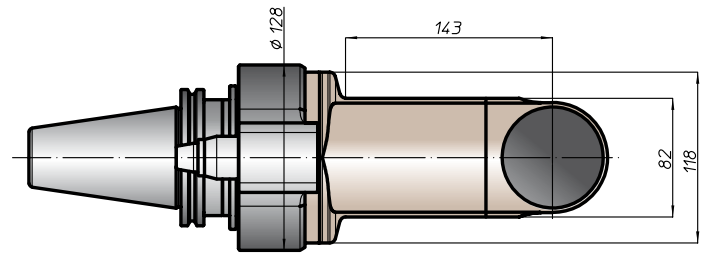
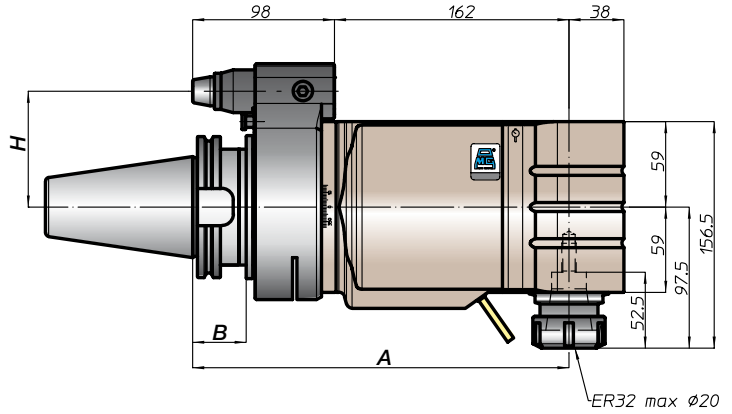
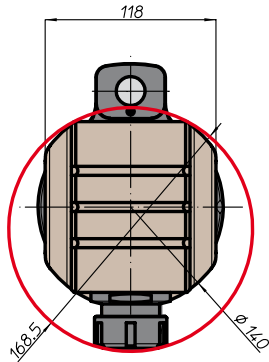
output



CONO SHANK	size	A	B	H	
				standard	optional
* DING9871	-	260	35	-	-
	45			80	110
	50			80	110
* ANSIB5.50	-	264	46	-	-
	50			80	110
* BT	-	268	45	-	-
	50			80	110
HSK DING9893	-	269	46	-	-
	80			80	110
CAPTO ISO26623	-	264	46	-	-
	-			80	110
	C8			80	110
KM	-	260	46	-	-
	80			80	110
DIN2080	-	233	16	-	-
	50			80	110
ANSIB5.18 NMTB	-	233	16	-	-
	50			80	110

tipi mandrino disponibili / available spindle types

- 1** DIN6388-ER  
**ER40**
- 2** Albero portafresa  
 Milling shaft  
**Ø22-Ø27-Ø32**
- 3** Weldon  
 Whistle-Notch  
**Ø20-Ø25-Ø32**
- 4** DIN69893-HSK  
**HSK40**
- 5** COROMANT  
 CAPTO®  
**C4**
- 6** ABS  
 Licenza KOMET®  
**ABS40**



\* Option: Dual Contact



BAH  
 TA.CP  
 TA  
 MO  
 HT  
 VH  
 TSI/TSX  
 T  
 MT-TC-TC3  
 Accessori  
 Accessories  
 Appendice tecnica  
 Technical supplement